




H265+ Vandal proof mini Dome Network Camera



FCS-3401 (2MP)/FCS-3073(H) (5MP)/FCS-3096(H) (8MP)

Level One		 H265+ Vandal proof mini Dome Network Camera		
Camera	Model	FCS-3073 (2MP)	FCS-3403(H) (5MP)	FCS-3096(H) (8MP)
	image sensor	1/2.8" Progressive Scan CMOS		1/2.8" Progressive Scan CMOS
	min.illumination	Color: 0.002Lux@F1.2 B/W: 0Lux with IR on		Color: 0.01Lux@F1.2 B/W: 0Lux with IR on
	WDR	140dB Super WDR		120dB
	shutter Time	1/100000s~1s		
	IR Distance	Up to 30m		
	day&night	ICR Filter Auto Switch		
	S/N	55dB		
Lens	Lens	2.8mm/4mm/6mm @F1.6	2.8mm @F2.0 / 3.2mm @F2.2 / 3.6mm @F2.2	2.8mm @F2.0 / 3.6mm @F2.2
	field of view	H111°/D128°/V61°(2.8mm) H91°/D106°/V50°(4mm) H55°/D63°/V32°(6mm)	H111°/D141°/V82°(2.8mm) H96°/D123°/V71°(3.2mm) H80°/D102°/V59°(3.6mm)	H124°/D140°/V69°(2.8mm) H89°/D103°/V49°(3.6mm)
	mount	M12		
Video	Max resolution	1920x1080	2592x1944	3840x2160
	primary stream	30fps@(1920x1080, 1280x960, 1280x720,704x576)	20fps@(2592x1944), (H):30fps@(2048x1536, 1920x1080, 1280x960, 1280x720, 704x576)	15fps@(3840x2160), 30fps@(3072x2048, 2592x1944, 2592x1520, 2048x1536, 1920x1080, 1280x960, 1280x720, 704x576)
	Secondary stream	30fps@(704x576, 640x480, 640x360, 352x288, 320x240, 320x192, 320x180)		
	tertiary stream	30fps@(704x576, 640x480, 640x360, 320x240, 320x192, 320x180))	30fps@(1920x1080, 1280x720, 704x576, 640x480, 640x360, 320x240, 320x192, 320x180)	
	Video Compression	H.265+/H.265(HEVC)/H.264+/H.264/MJPEG		
	Video Bit Rate	16Kbps~16Mbps(CBR/VBR Adjustable)		
	Image Setting	Brightness/Contrast/Saturation/Sharpness		
Interface	Ethernet	1*RJ45 10M/100M Ethernet Port		
	Audio I/O	Built-in Microphone	Built-in Microphone; 1/1 (Multi-interface Version)	
	Alarm I/O	N/A	1/1 (Multi-interface Version)	
Network	Network Storage	NAS(Support NFS, SMB/CIFS), ANR		
	Protocol	IPv4/IPv6, ARP, TCP, UDP, RTCP, RTP, RTSP, RTMP, HTTP, HTTPS, DNS, DDNS, DHCP, FTP, NTP, SMTP,		
Audio	Audio Compression	G.711/AAC/G.722/G.726		



H265+ Vandal proof mini Dome Network Camera



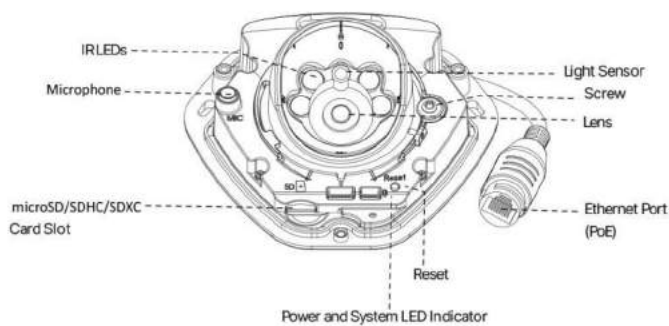
Level One



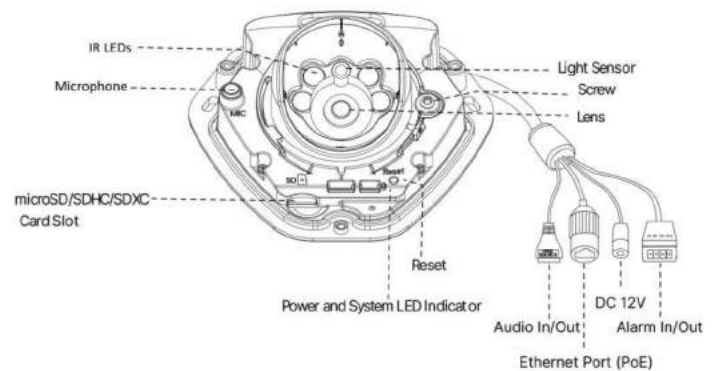
H265+ Vandal proof mini Dome Network Camera

	Model	FCS-3073 (2MP)	FCS-3403(H) (5MP)	FCS-3096(H) (8MP)
System	Storage	Support microSD/SDHC/SDXC Card Local Storage, up to 256G		
	Advanced Function	Privacy Masking, BLC, HLC, 2D DNR, 3D DNR, ROI, Defog, AWB, IP Address Filtering, AGC, Anti-flicker, Corridor Mode, Deblur, Watermark		
	SIP/VoIP Support	Yes, Voice & Video-over-IP		
	Event Trigger	Motion Detection, Network Disconnection, Audio Alarm, etc.	Motion Detection, Network Disconnection, Audio Alarm, etc.; Motion Detection, Network Disconnection, External Input, Audio Alarm, etc. (Multi-interface Version)	
	Event Action	FTP Upload, SMTP Upload, SD Card Record, SIP Phone, HTTP Notification, etc.	FTP Upload, SMTP Upload, SD Card Record, SIP Phone, HTTP Notification, etc.; FTP Upload, SMTP Upload, SD Card Record, External Output, SIP Phone, HTTP Notification, etc. (Multi-interface Version)	
	Video Analysis	Region Entrance, Region Exiting, Advanced Motion Detection, Tamper Detection, Line Crossing, Loitering, Human Detection, People Counting, Object Left, Object Removed		
	System Compatibility	ONVIF Profile G & Q & S & T		
	Working Temperature	(- 40) (+60)°C		
General	Working Humidity	0~90%(Non-condensing)		
	Power Supply	PoE (802.3af)	PoE (802.3af); PoE (802.3af) / DC 12V±10% (Multi-interface Version)	
	Power Consumption	2.5W MAX 3.5W MAX (With IR on)	2.5W MAX 5.5W MAX (With IR on)	5.2W 6.6W MAX (With IR on)
	Housing	Vandal-proof IK10-rated Metal Housing		
	Weather Proof	Up to IP67-rated for Weather-resistant Performance		
	Weight	500g		
	Dimensions	118.5mmX110.8mmX65mm		
	Warranty	2/5 Years		

Structure Diagrams



(Default Version)

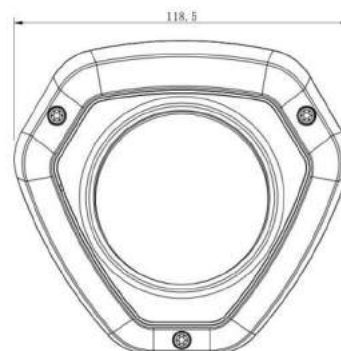
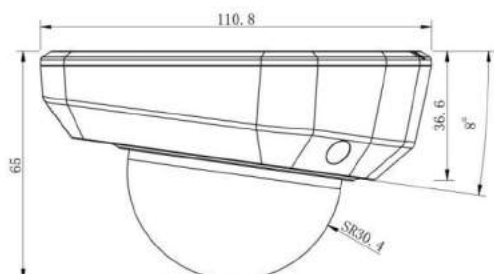


(Multi-interface Version)

H265+ Vandal proof mini Dome Network Camera



Structure Diagrams



Units: mm

Accessories Support

A01 Pole Mount

Weight: 720g
Dimensions: 170*51.5*152.6mm



A03 External Corner Bracket

Weight: 900g
Dimensions: 170*152.5*76.3mm



A71 Wall Mount

Weight: 530g
Dimensions: 162*124*78 mm



A73 Adapter Plate

Weight: 28g
Dimension: 115*122.5*10mm



A74 Junction Box

Weight: 60g
Dimensions: 121.5*116.5*37.2

