




**FCS-4051 (2MP)**

Level One		 <b>H265+ 23X Mini PTZ Dome Network Camera</b>
Camera	<b>Model</b>	<b>FCS-4051 (2MP)</b>
	<b>image Sensor</b>	1/2.8" Progressive Scan CMOS
	<b>min.illumination</b>	Color: 0.002Lux@F1.2 Color: 0.005Lux@F1.4 B/W : 0Lux with IR on
	<b>WDR</b>	140dB Super WDR
	<b>shutter Time</b>	1/100000s~1s
	<b>IR distance</b>	Up to 120m
	<b>IR Angle</b>	Auto/Manual
	<b>Digital Zoom</b>	16X
	<b>day&amp;night</b>	Day/Night/Auto/Customize/Schedule
	<b>S/N</b>	55dB
Lens	<b>Focal Length</b>	5~117mm, 23X Optical Zoom
	<b>Zoom Speed</b>	Approx 6s (Wide-Tele)
	<b>field of view</b>	H60°~H3°/D69°~D4°/V35°~V2°
	<b>focus control</b>	Auto/Semi-Auto/Manual
	<b>Minimum Working Distance</b>	100/1500mm (Wide / Tele)
	<b>Aperture</b>	F1.5~F3.5
	<b>iris control</b>	Auto
PTZ	<b>Pan Range / Pan Speed</b>	360° endless; Pan Manual Speed: 0.1°~450°/s, Pan Preset Speed: 450°/s
	<b>Tilt Range / Tilt Speed</b>	5°~90° (Auto Flip); Tilt Manual Speed: 0.1°~360°/s, Tilt Preset Speed: 360°/s
	<b>Proportional Zoom</b>	Support
	<b>Preset Quantity</b>	255
	<b>Patrol</b>	8 Patrols, up to 48 presets each patrol
	<b>Pattern</b>	4 Patterns
	<b>Auto Tracking</b>	Support
	<b>Power Off Memory</b>	Support
<b>Other Function</b>	Auto Scan, Auto Home, Preset Freezing, 3D Positioning, PTZ Limits, Initial Position	
Video	<b>Max resolution</b>	1920x1080
	<b>primary stream</b>	60fps@(1920x1080, 1280x960, 1280x720, 704x576)
	<b>Secondary stream</b>	60fps@(704x576, 640x480, 640x360, 352x288, 320x240, 704x192, 320x180)
	<b>tertiary stream</b>	30fps@(1920x1080, 1280x720, 704x576, 640x480, 640x360, 320x240, 320x192, 320x180)
	<b>Video Compression</b>	H.265+/H.265(HEVC)/H.264+/H.264/MJPEG
	<b>Video Bit Rate</b>	16Kbps~16Mbps(CBR/VBR Adjustable)
	<b>Privacy Masking</b>	Up to 8 areas
	<b>ROI</b>	Up to 8 areas
<b>Image Setting</b>	Brightness/Contrast/Saturation/Sharpness	

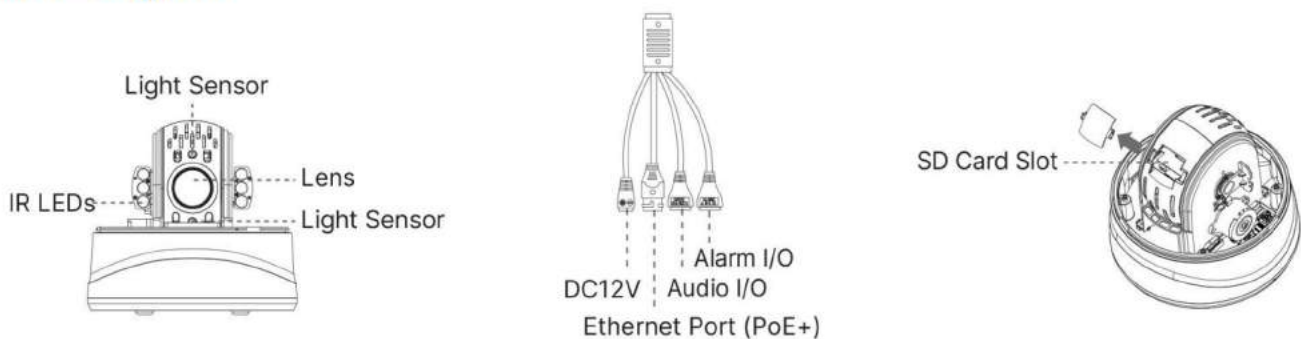
# H265+ 23X Mini PTZ Dome Network Camera



## H265+ 23X Mini PTZ Dome Network Camera

Level One		
Interface	Model	FCS-4051 (2MP)
	Ethernet	1*RJ45 10M/100M Ethernet Port
	Audio I/O	1\1
	Alarm I/O	1\1
Network	Network Storage	NAS(Support NFS, SMB/CIFS), ANR
	Protocol	IPv4/IPv6, ARP, TCP, UDP, RTCP, RTP, RTSP, RTMP, HTTP, HTTPS, DNS, DDNS, DHCP, FTP, NTP, SMTP, SNMP, UPnP, Bonjour, SIP, PPPoE, VLAN, 802.1x, QoS, IGMP, ICMP, SSL
Audio	Audio Compression	G.711/AAC/G.722/G.726
	Audio Sampling Rate	8/16/32/44.1/48KHz
	Audio Bit Rate	16~256kbps
	Two-way Audio	Support
System	Storage	Support microSD/SDHC/SDXC Card Local Storage, up to 256G BLC, HLC, 2D DNR, 3D DNR, Defog, AWB, EIS, IP Address Filtering
	Advanced Function	AGC, Anti-flicker, Corridor Mode, Deblur, Watermark
	SIP/VoIP Support	Yes, Voice & Video-over-IP
	Event Trigger	Motion Detection, Network Disconnection, Audio Alarm, External Input, etc.
	Event Action	FTP Upload, SMTP Upload, SD Card Record, External Output, SIP Phone, HTTP Notification, etc.
	Video Analysis	Region Entrance, Region Exiting, Advanced Motion Detection, Tamper Detection, Line Crossing, Loitering, Human Detection, People Counting, Object Left, Object Removed
General	System Compatibility	ONVIF Profile G & Q & S & T, API
	Working Temperature	(- 40) (+60)°C
	Working Humidity	0~90%(Non-condensing)
	Power Supply	PoE (802.3af) / DC 12V±10%
	Power Consumption	10W MAX/17W MAX (With IR on)
	Housing	Vandal-proof IK10-rated Metal Housing
	Weather Proof	Up to IP66-rated for Weather-resistant Performance
	Weight	2Kg
	Surge Protection	4KV
	Dimensions	Φ183mmX174.8mm
Warranty	2/5 Years	

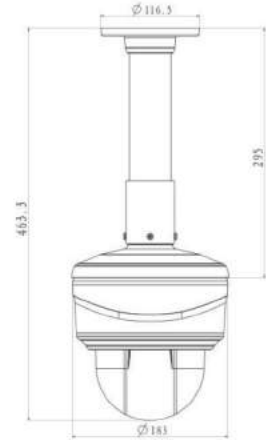
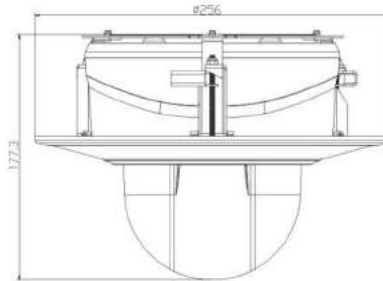
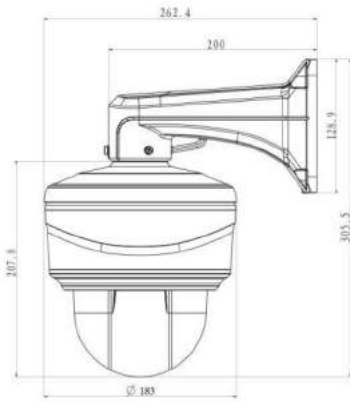
### Structure Diagrams



# H265+ 23X Mini PTZ Dome Network Camera



## Structure Diagrams



Units: mm

## Accessories Support

### A01 Pole Mount

Weight: 720g  
Dimensions: 170\*51.5\*152.6mm



### A03 External Corner Bracket

Weight: 900g  
Dimensions: 170\*152.5\*76.3mm



### A42-L Extension Lever

Weight: 325g  
Dimensions: 57\*255mm



### A43 Junction Box

Weight: 1000g  
Dimensions: 195\*164\*80mm



### A77 Wall Mount

Weight: 650g  
Dimensions: 262\*185\*138mm



### A78 Recessed Mount

Weight: 715g  
Dimensions: 256\*256\*94mm



### A79 Pendant Mount

Weight: 850g  
Dimensions:  $\Phi$ 185\*295mm

