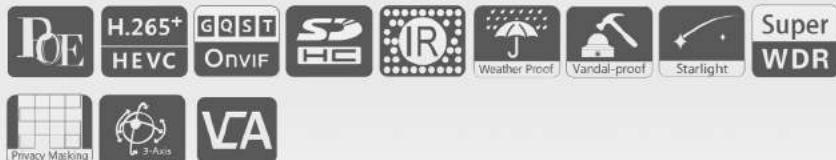




H265+ Motorized Pro Dome Network Camera



FCS-3056 (2MP)/FCS-3413(H) (5MP)/FCS-3414(H) (8MP)

Level One		H265+ Motorized Pro Dome Network Camera		
Model		FCS-3056 (2MP)	FCS-3413(H) (5MP)	FCS-3414(H) (8MP)
Camera	image Sensor	1/2.8" Progressive Scan CMOS		1/1.8" Progressive Scan CMOS
	min.illumination	Color: 0.002Lux@F1.2 Color: 0.005Lux@F1.4 B/W: 0Lux with IR on	Color: 0.005Lux@F1.2 Color: 0.008Lux@F1.4 B/W: 0Lux with IR on	Color: 0.006Lux@F1.2 Color: 0.009Lux@F1.4 B/W: 0Lux with IR on
	WDR	140dB Super WDR	120dB	
	shutter Time	1/100000s~1s		
	IR Distance	Up to 50m		
	day&night	Day/Night/Auto/Customize/Schedule		
	S/N	55dB		
	Lens	Motorized 2.7~13.5mm/7~22mm@F1.4 (Optional)		
Lens	field of view	H115°~H34°/D135°~D39° /V62°~V19° (2.7~13.5mm) H102°~H34°/D118°~D38° /V56°~V19° (3.0~10.5mm) H44°~H17°/D51°~D19° /V24°~V9° (7~22mm)	H100°~H32°/D125°~D40° /V74°~V24° (2.7~13.5mm) H90°~H31°/ D114°~D38° / V67°~V23°(3.0~10.5mm) H37°~H15°/D47°~D19° /V28°~V11° (7~22mm)	H110°~H46°/D126°~D54°/V61°~V25°
	mount	Φ14		
	focus control	Auto/Manual		
	iris control	Auto/Manual		
Video	Max resolution	1920x1080	2592x1944	3840x2160
	primary stream	30fps@(1920x1080, 1280x960, 1280x720,704x576)	20fps@(2592x1944), (H):30fps@(2048x1536, 1920x1080, 1280x960, 1280x720, 704x576)	15fps@(3840x2160, 3072x2048, 2592x1944, 2592x1520, 2048x1536, 1920x1080, 1280x960, 1280x720, 704x576)
	Secondary stream	30fps@(704x576, 640x480, 640x360, 352x288, 320x240, 320x192, 320x180)		
	tertiary stream	30fps@(1920x1080, 1280x720, 704x576, 640x480, 640x360, 320x240, 320x192, 320x180)		
	Video Compression	H.265+/H.265(HEVC)/H.264+/H.264/MJPEG		
	Video Bit Rate	16Kbps~16Mbps(CBR/VBR Adjustable)		
	Privacy Masking	Up to 8 areas		
	ROI	Up to 8 areas		
Interface	Image Setting	Brightness/Contrast/Saturation/Sharpness		
	Ethernet	1*RJ45 10M/100M Ethernet Port		
	Audio I/O	Built-in Microphone & 1 Audio Output interface		
	Alarm I/O	1\1		



H265+ Motorized Pro Dome Network Camera



Level One



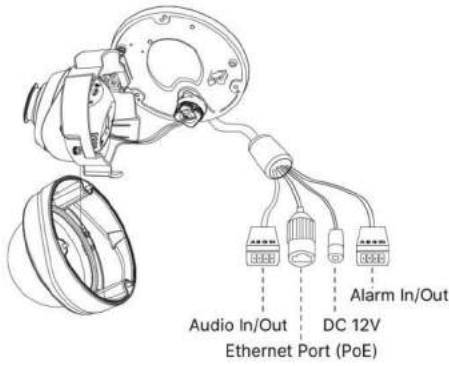
H265+ Motorized Pro Dome Network Camera

	Model	FCS-3056 (2MP)	FCS-3413(H) (5MP)	FCS-3414(H) (8MP)
Interface	Ethernet	1*RJ45 10M/100M Ethernet Port		
	Audio I/O	Built-in Microphone & 1 Audio Output interface		
	Alarm I/O	1\1		
Network	Network Storage	NAS(Support NFS, SMB/CIFS), ANR		
	Protocol	IPv4/IPv6, ARP, TCP, UDP, RTCP, RTP, RTSP, RTMP, HTTP, HTTPS, DNS, DDNS, DHCP, FTP, NTP, SMTP,		
Audio	Audio Compression	G.711 / AAC / G.722 / G.726		
	Audio Sampling Rate	8/16/32/44.1/48KHz	8/16/32/48KHz (32KHz and 48KHz are available for H Series.)	8/16/32/48KHz
	Audio Bit Rate	16~256kbps	16~96kbps, 16~256kbps(Optional for H Series)	16~256kbps
	Two-way Audio	Support		
System	Storage	Support microSD/SDHC/SDXC Card Local Storage, up to 256G		
	Advanced Function	Privacy Masking BLC, HLC, 2D DNR, 3D DNR, Defog, AWB, EIS, IP Address Filtering, AGC, Anti-flicker, Corridor Mode, Deblur, Watermark		
	SIP/VoIP Support	Yes, Voice & Video-over-IP		
	Event Trigger	Motion Detection, Network Disconnection, Audio Alarm, External Input, etc.		
	Event Action	FTP Upload, SMTP Upload, SD Card Record, External Output, SIP Phone, HTTP Notification, etc.		
	Video Analysis	Region Entrance, Region Exiting, Advanced Motion Detection, Tamper Detection, Line Crossing, Loitering, Human Detection, People Counting, Object Left, Object Removed		
System Compatibility	ONVIF Profile G & Q & S & T, API			
General	Working Temperature	(- 40) (+60)°C		
	Working Humidity	0~90%(Non-condensing)		
	Power Supply	PoE (802.3af) / DC 12V±10%		
	Power Consumption	8W MAX 12W MAX (With IR on)		6.2W MAX 9.4W MAX (With IR on)
	Housing	Vandal-proof IK10-rated Metal Housing		
	Weather Proof	Up to IP67-rated for Weather-resistant Performance		
	Weight	1100g		
	Dimensions	Φ143mmX108.4mm		
	Warranty	2/5 Years		

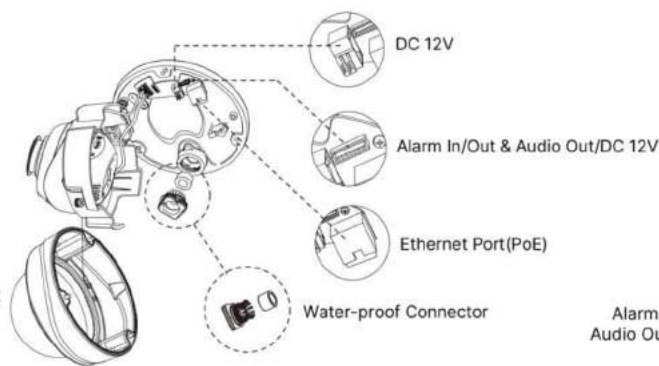
H265+ Motorized Pro Dome Network Camera



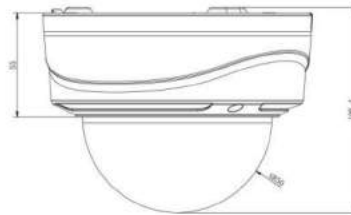
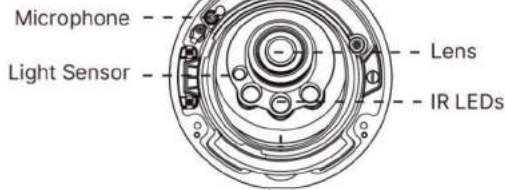
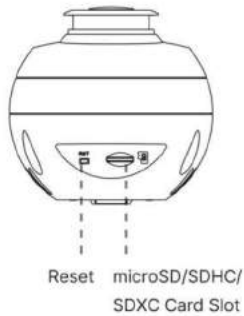
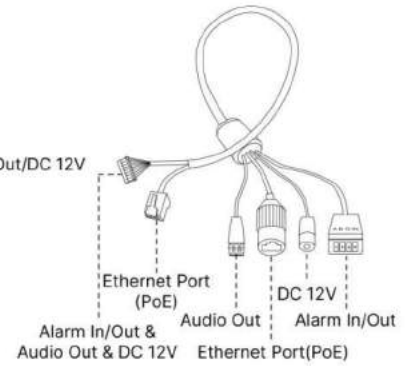
Structure Diagrams



(Default Version)



(Optional Version)



Units: mm

Accessories Support

A01 Pole Mount

Weight: 720g
Dimensions: 170*51.5*152.6mm



A03 External Corner Bracket

Weight: 900g
Dimensions: 170*152.5*76.3mm



A72 Wall Mount

Weight: 560g
Dimensions: 240*160*136mm



AC-72 Smoked Dome Cover

For concealing where a camera is pointed



A75 Junction Box

Weight: 200g
Dimensions: 145*167*33.5mm



A76 Pendant Mount

Weight: 620g
Dimensions: 136*L (L is default as 300mm, also can be extended with A76-L)



A76-L Extension Lever

Weight: 315g
Dimensions: 34*300mm



A78 Recessed Mount

Weight: 715g
Dimensions: 256*256*94mm

